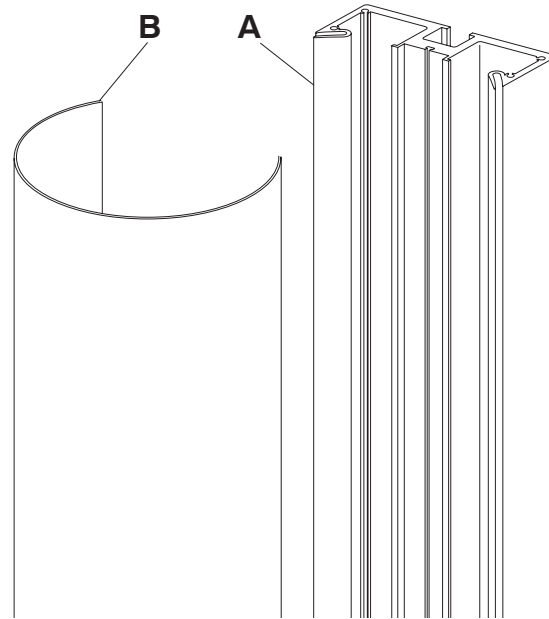
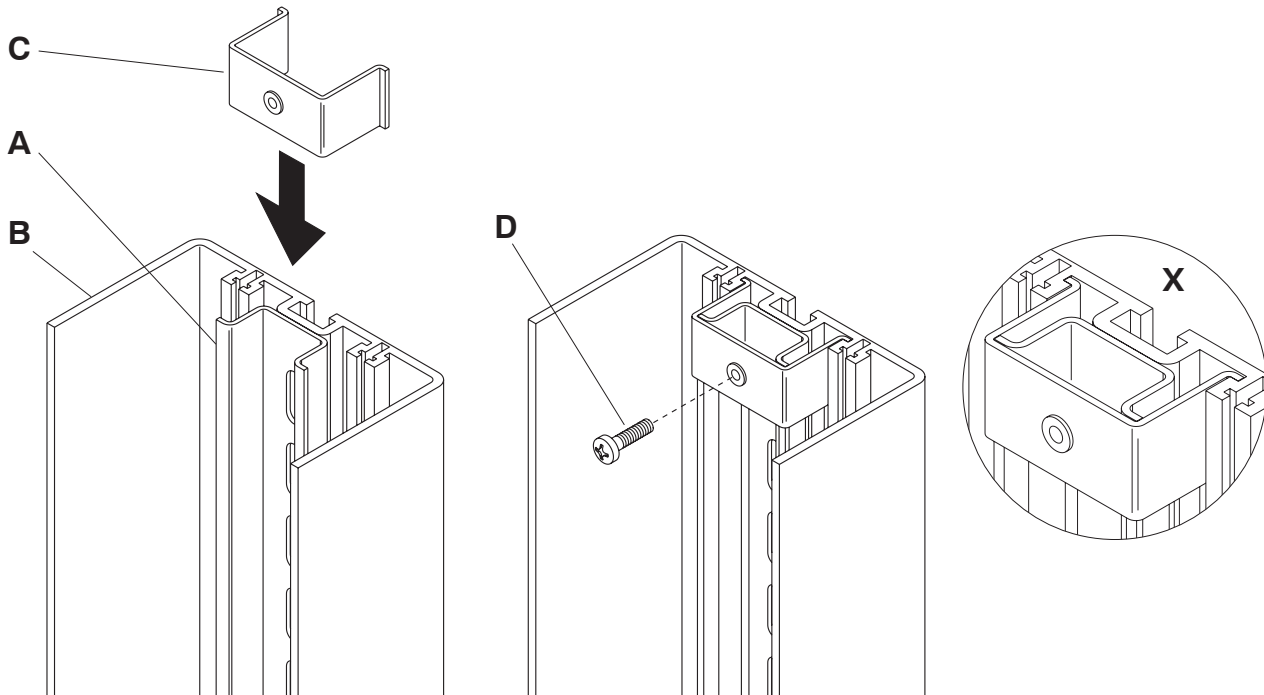


PDA COLUMN

- A** - Aluminium column
- B** - IR cover



FIXING KIT TO MOUNT DIN BAR ON PDA COLUMN



MOUNTING INSTRUCTIONS

- 1 - Place the DIN bar (**A**) on the aluminium section of the PDA (**B**).
- 2 - Slide the fixing bracket (**C**) in the guides of the section, as illustrated in the close-up X.
- 3 - Tighten the TC M4 x 16 screw (**D**) (supplied) until the DIN bar is completely secured.
- 4 - Carry out the same operation on the lower side of the section.